

Date: \_\_\_\_\_

Client: \_\_\_\_\_

Project: \_\_\_\_\_

VOLA product: 1511

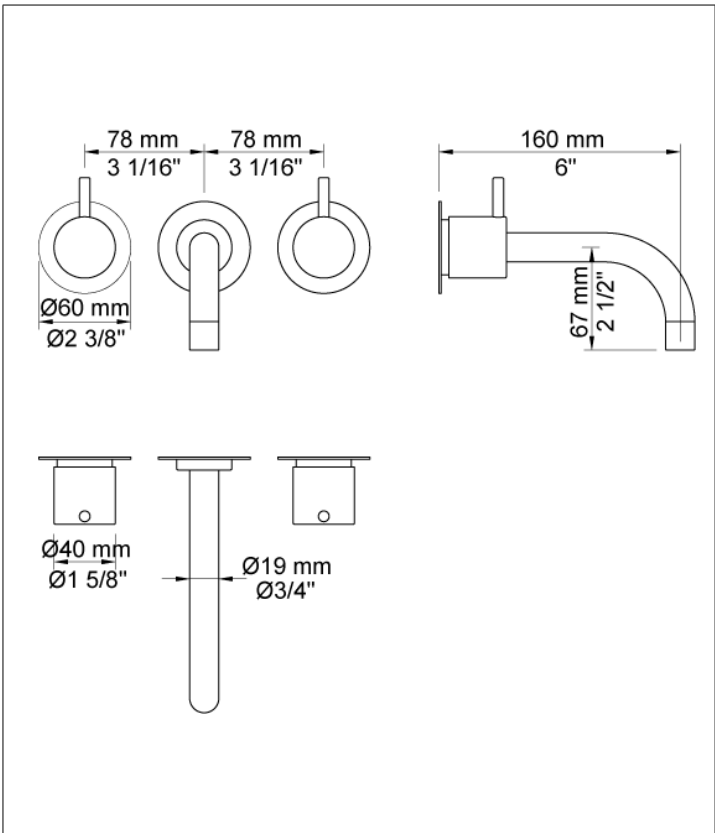


**1511**

Two-handle build-in mixer with ¼ turn ceramic disc technology.  
 1511UP = Mixer 1500.  
 1511AP = 2 pcs. handles NR17, 160 mm fixed spout 010, 3 pcs. 60 mm circular flanges 001.

**Flow**

	Bar:	1,0	2,0	3,0	4,0	5,0
1511	(l/min)	5,0	5,0	5,0	5,0	5,0



**Available in colours**

- Color 02, Grey
- Color 04, Light blue
- Color 05, Orange
- Color 06, Light green
- Color 08, Yellow
- Color 09, Dark grey
- Color 12, Mocca
- Color 14, Bright red
- Color 15, Dark blue
- Color 16, Polished chrome
- Color 17, Gloss black
- Color 18, White
- Color 19, Natural brass
- Color 20, Brushed chrome
- Color 21, Carmine red
- Color 25, Pink
- Color 27, Matt black
- Color 40, Brushed stainless steel

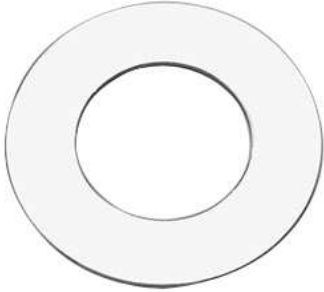


Date: \_\_\_\_\_

Client: \_\_\_\_\_

Project: \_\_\_\_\_

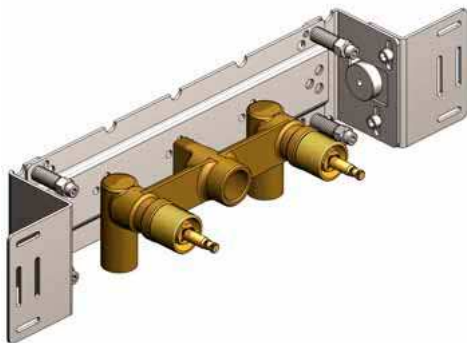
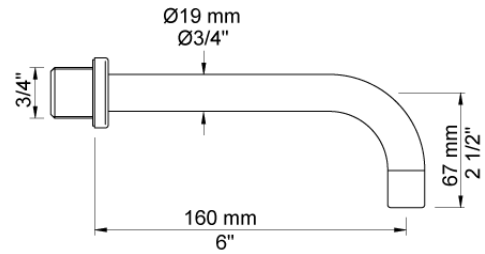
VOLA product: 1511



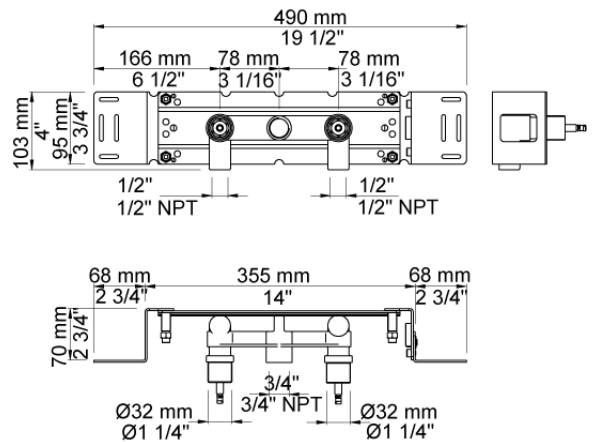
**001**  
60 mm circular flange.  
Hole Ø33 mm.



**010**  
160 mm fixed spout with water saving aerator.



**1500**



--

Date:
Client:
Project:

VOLA product: 1511

